



## PNEUMATIC PRECISION PLANTER WITH SIDE DRAWBAR

PLANTER A/D



**agromaster®**

“We know the soil”

[www.agromaster.com](http://www.agromaster.com)

## **PLANTER D PNEUMATIC PRECISION PLANTER DISC TYPE, SIDE TRAILED**

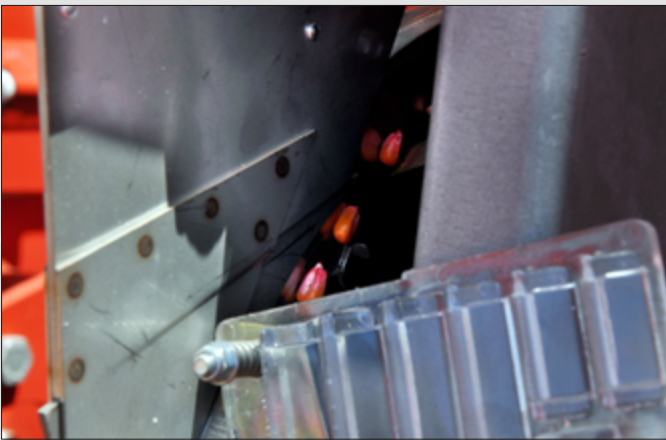
The Planter D model Disc Type Pneumatic Planters for precision seeding of corn, sunflower, sugarbeet, cotton, soya and other crops is the ideal answer to the problems of modern agriculture in which maximum efficiency must be combined with minimum cost.

Agromaster Disc Type Pneumatic Planters offer Excellent performance in any soil conditions: tilled (Conventional farming), minimum tillage, or the presence of residue from previous crops.

Microgranulator is used to incorporate two operations into seeding process by applying insecticides or anti-slug treatments against seedkillers and pests after germination.

With pneumatic distribution a regular supply of microgranules without risk of clogging in the tubes is provided.

With an increasing amount of insects killing plants during growing and an increased need of microfertilizer, increases the need of microgranule applicators. Pneumatic planters can be equipped with microgranule applicators. The hoppers are made of special grade plastics and have a capacity of 35 litres. The hoppers supply 2 planting units.





## **PLANTER A PNEUMATIC PRECISION PLANTER AXE TYPE, SIDE TRAILED**

The Planter A model axe type pneumatic planters for precision seeding of corn, sunflower, sugarbeet, cotton, soya and the other crops on tilled soil is the result of years of experience and development by Agromaster. The pneumatic planters is easy to use, constantly reliable and highly accurate. The planter is available in a number of configurations and with different kinds of frames (fixed, telescopic frame and with side drawbar) to meet the various requirements of different crops.

Planter A model planters are especially recommended for sowing on tilled soils without crop residues on the ground. The seeding furrow is made by a drill axe and the seeding depth is set by a parallelogram system between the frame and the rear wheel, which can be adjusted by a mechanical jack.

The pressure applied by the seeding unit on the ground is controlled by a spring.

These planters are designed on the principle of multifunctionality, maximum efficiency and easy usage.

A wide range of additional accessories such as fertilizer hoppers, different types of coulters, depending on the type of crops, different types of intermediate front and rear rollers, a device for removing stones, lumps of earth and plant residues provide a Planter versatility and allows it to adapt to any conditions.







Star shaped trash remover



Double-disc coulters for fertilizer



Hydraulic marker



Disc for opening gap and removing trash



V shaped rear roller for pressing down and closing seed beds



Planters can be supplied with electronic control monitors.



Axe type coulters for fertilizer



Side drawbar in transport position



Foldable hydraulic marker

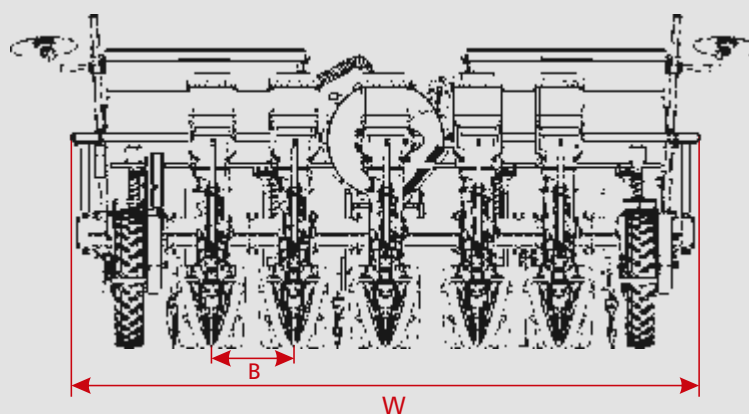
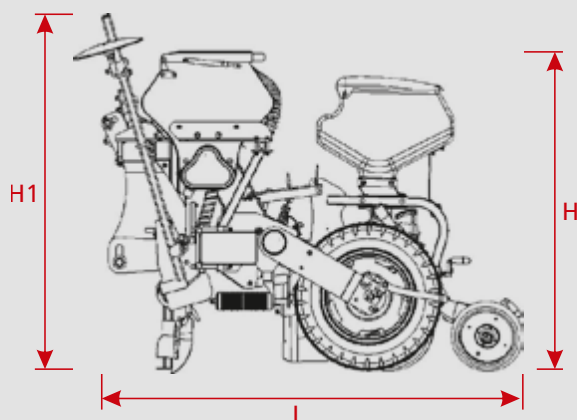


With an increasing amount of insects killing plants during growing and an increased need of microfertilizer, increases the need of microgranule applicators. Vegetable planters can be equipped with microgranule applicators. The hoppers are made of special grade plastics and have a capacity of 35 litres. The hoppers supply 2 planting units.

Technical Specifications*	Unit	PLANTER A6	PLANTER A8	PLANTER A10	PLANTER A12	PLANTER D6	PLANTER D8	PLANTER D10	PLANTER D12
Number of Rows	pcs	6	8	10	12	6	8	10	12
Total Width (W)	mm	5900	7700	7700	7700	5900	7700	7700	7700
	ft.in.	19'4"	25'3"	25'3"	25'3"	19'4"	25'3"	25'3"	25'3"
Total Length (L)	mm	2000	2000	2000	2000	2000	2000	2000	2000
	ft.in.	6'7"	6'7"	6'7"	6'7"	6'7"	6'7"	6'7"	6'7"
Total Height (H)	mm	1700	1700	1700	1700	1800	1800	1800	1800
	ft.in.	5'7"	5'7"	5'7"	5'7"	5'11"	5'11"	5'11"	5'11"
Transport Width		2450	2450	2450	2450	2450	2450	2450	2450
		8'	8'	8'	8'	8'	8'	8'	8'
Working Depth	mm	0-100	0-100	0-100	0-100	0-100	0-100	0-100	0-100
	ft.in.	0"-4"	0"-4"	0"-4"	0"-4"	0"-4"	0"-4"	0"-4"	0"-4"
Fertilizer Hopper Capacity	kg	200x2	160x4	160x4	160x4	200x2	160x4	160x4	160x4
	lbs	440x2	352x4	352x4	352x4	440x2	352x4	352x4	352x4
Seed Hopper Volume	dm <sup>3</sup>	34x6	34x8	34x10	34x12	34x6/40x6	34x8/40x8	34x10/40x10	34x12/40x12
Space Between Rows (B)	mm	280-800	280-800	280-800	280-800	350-800	350-800	350-800	350-800
	ft.in.	11"-2'7"	11"-2'7"	11"-2'7"	11"-2'7"	1'8"-2'7"	1'8"-2'7"	1'8"-2'7"	1'8"-2'7"
Working Speed	km/h	4-8	4-8	4-8	4-8	4-8	4-8	4-8	4-8
PTO Rotation	rpm	540				540			
Tyre Size		6.5x80-15	6.5x80-15	6.5x80-15	6.5x80-15	6.5x80-15	6.5x80-15	6.5x80-15	6.5x80-15
Required Power	hp	80-90	95-100	100-110	110-120	80-90	95-100	100-110	110-120
Weight With Fertilizer Hopper	kg	1620	1980	2340	2600	1900	2600	2950	3200
	lbs	3571	4365	5158	5732	4188	5732	6503	7054
Weight Without Fertilizer Hopper	kg	1380	1620	1860	2120	1500	2050	2700	2980
	lbs	3042	3571	4100	4673	3306	4519	5952	6569

1 inch = 25,4 mm - 1 inch = 0,083 feet (foot) - 1 feet (foot) = 12 inch

\* Manufacturer reserves rights to change them without notice. / \* Производитель оставляет за собой право изменять их без уведомления.





**agromaster®**



🏠 Buyukkayacik Mahallesi Org. San. Bolgesi Evrenkoy Cad. No:32 • Selcuklu/Konya/TURKEY

☎ +90 332 235 64 23

✉ info@agromaster.com

🌐 www.agromaster.com

Since  
**1962**

